

Plan View
 Scale = 1" = 30ft

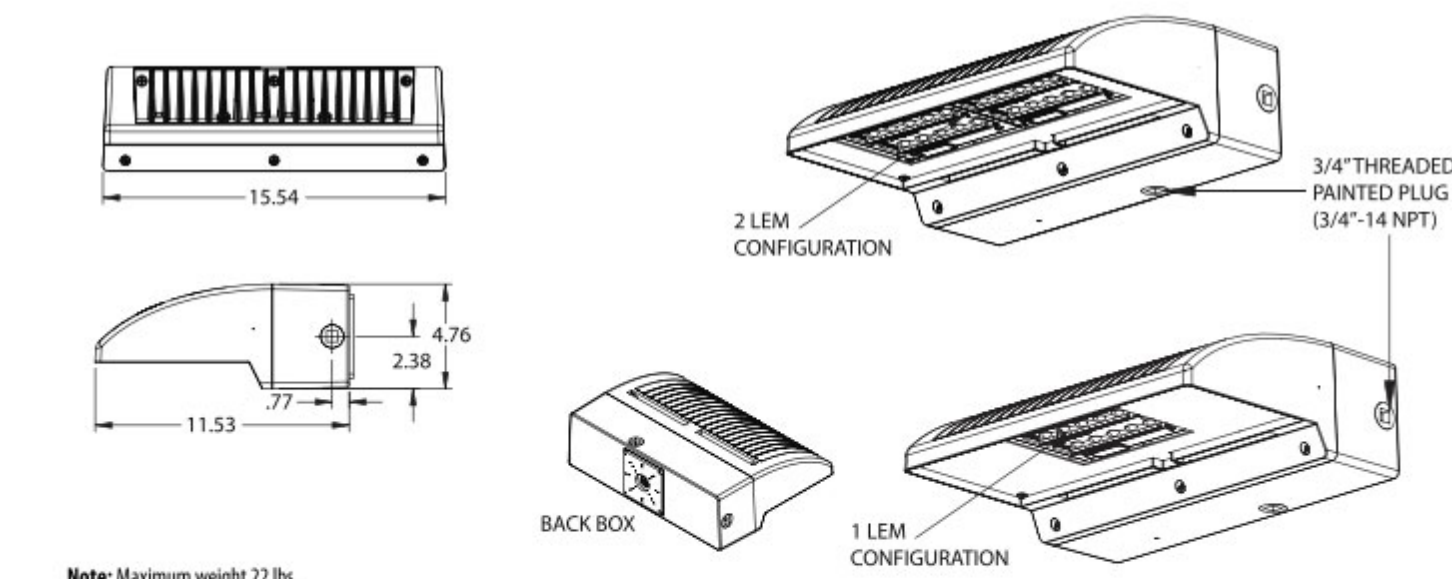


HLWPC2
 Wallpack Full Cutoff LED



Catalog Number	Type
Notes	

- Mechanical**
- Heavy grade A360 cast aluminum (aluminum with <1% copper)
 - Exterior parts are protected by a zinc-infused Super Durable TBC thermoset powder coat finish that provides superior resistance to corrosion and weathering
 - Mounts to a standard junction box
 - Wet location listed
 - IP65 rated housing, down light only
 - 1/2" painted threaded entry (1/4" - 14 NPT) on each side and on top, accepts 1/2" and 3/4" conduit
 - 3/4" threaded plug are painted on each side
 - Vibration tested to 1.5G per ANSI C136.31.
- Electrical**
- Certified by UL or CSA
 - Rated for 40°C (104°F) minimum ambient
 - A programmable electronic driver with 0-10V control leads
 - Available in: 120-277V 50/60 Hz and 247-480V 50/60 Hz, Standard: 3000K, 4000K and 5000K (CCT 1-70 CRI)
 - Optional: 380 CRI (3000K, 4000K and 5000K CCT)
 - Internally mounted emergency battery backup for operation in an ambient temperature ranging from 20°C (-4°F) to 30°C (86°F), available with P10 thru P40 performance packages, non CE compliant
 - All surge protection meets ANSI/IEEE C62.41.2 10kV/10kA
 - Standard surge protection is 20kV/10kA per ANSI C136.2
 - Optional surge protection is 10kV/5kA per ANSI C136.2
- Optical**
- Light engine housing is IP66 rated
 - Acrylic optical system
 - Type V: E (entry), M (medium), R (rectangle) & W (wide)
 - Asymmetric
- Controls**
- Field adjustable output (AO)
 - Button style photocell (PE)
 - Motion sensor & ambient photocell combination for mounting low (8-15') (MASH) and high (15-30') (MASH) mounting heights
- Certification and Standards**
- Luminaire is CSA listed, US and Canada
 - Suitable for operation in an ambient temperature up to 40°C (104°F) per UL or CSA certification
 - Design Lights Consortium (DLC) qualified product. Not all versions of this product may be DLC qualified. Please check the DLC Qualified Products list at www.designlights.org/ DLC to confirm which versions are qualified.
 - LM-79 compliant
 - The projected LED Lumen Maintenance shall be based only on ES LM-80-08 and TM-21
- Warranty**
- 5-year limited warranty. Complete warranty terms located at: www.acuitybrands.com/support/warranty/terms-and-conditions
 - Note: Actual performance may differ as a result of end-user environment and application.
 - All values are design or typical values, measured under laboratory conditions at 25 °C.
 - Specifications subject to change without notice.



Note: Maximum weight 22 lbs.

AcuityBrands | Holophane | 3825 Columbus Rd., Granville, OH 43023 | Phone: 866-HOLOPHANE | www.holophane.com
 © 2014-2021 Acuity Brands Lighting, Inc. All rights reserved. Rev. 03/24/21 Specifications subject to change without notice. HLWPC2 Page 1 of 8

Statistics

Description	Symbol	Avg	Max	Min	Max/Min	Avg/Min
Area Summary	X	1.8 fc	4.4 fc	0.1 fc	44.0:1	18.0:1
Spill Light Summary	+	0.4 fc	4.4 fc	0.0 fc	N/A	N/A

- Note**
- Readings shown are based on a total LLF of as shown at grade. Data references the extrapolated performance projections in a 25c ambient based on 10,000 hrs of LED testing (per IESNA LM-80-08 and projected per IESNA TM-21-11).
 - Please refer to the "luminaire locations" for mounting heights.
 - Product information can be obtained at www.holophane.com or through your local agency.

Schedule

Symbol	Label	Image	QTY	Manufacturer	Catalog Number	Description	Lamp	Number Lamps	Filename	Lumens per Lamp	Lumen Multiplier	LLF	Wattage	Efficiency	Distribution	Polar Plot
A			21	Holophane	HLWPC2 P10 40K XX T3M	Wallpack Full Cutoff LED, LED Performance Package P10, 4000 series CCT, Voltage, Type III Medium	LED	1	HLWPC2_P10_40K_XX_T3M.ies	3017	1	0.9	28	100%	TYPE IV, MEDIUM, BUG RATING: B1 - U0 - G1	

Note

This architectural lighting submittal is provided only for informational purposes and to help the customer or end-user (as applicable) understand how various sections of linear fixtures connect to each other and how they mount to the ceiling. This lighting submittal is strictly based on the information provided to Acuity Brands, and is provided without warranty as to accuracy, completeness, reliability or otherwise. If the information (including but not limited to floor-plans, reflected ceiling plans, electrical plans, and specifications) provided to Acuity Brands is incomplete or not current (i.e., newer versions exist), the accuracy of proposed design may be adversely affected. Once this lighting submittal is received by the customer or end-user (as applicable), it is the obligation of the customer or end-user (as applicable) to consult with a professional engineering advisor to determine whether the proposed design meets the applicable project requirements for lighting system performance, code compliance, safety, suitability, and effectiveness for use in a particular application. In no event, will Acuity Brands be responsible for any loss resulting from any use of any information contained in this lighting submittal.

Neighborhood Self Storage

Designer
 Jim Eads, LC
Date
 3/31/2021
Scale
 As Shown
Drawing No.
 168626-0 A1
Summary